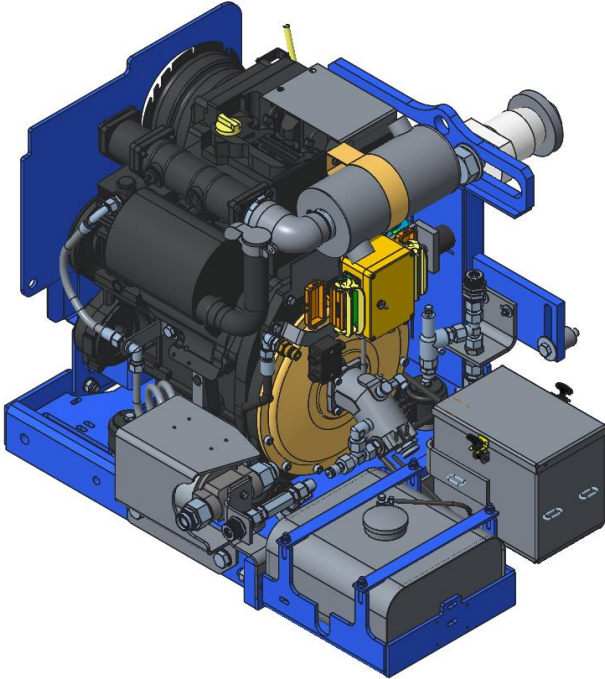
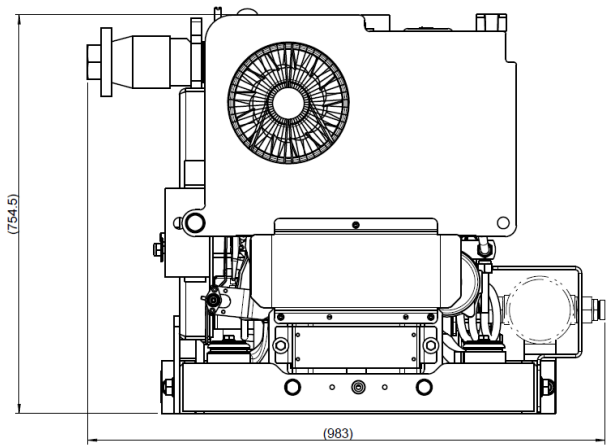
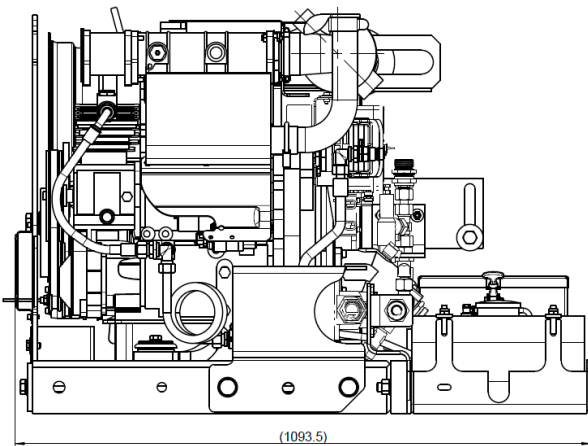


Graphic display:



Note:  
Powerpack displayed  
without hydraulic hoses  
and pipes.



**Dimensions & technical data:**

Height x width x length:	ca. 755 x 1.330 x 1.030 [mm] (incl. hydraulic hoses, etc.)
Weight:	ca. 520 kg
Engine:	Deutz Diesel TCD D2011-L02 i (2-cylinder, air/oil cooled), 23kW, emission certification: EU Stage IIIA / US EPA Tier 3
Hydraulic power:	ca. 28 l/min (@ 2.800 rpm engine speed), max. pressure 340 bar
Air compressor:	ca. 32 l/min @ 8 bar (@ 2.800 rpm engine speed)
Operating temperature:	-20°C to 45°C
Fuel tank	ca. 15 l (Diesel)
Starter box	electrical starter