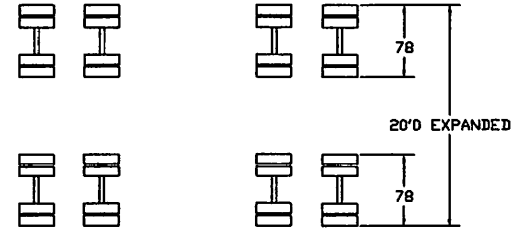
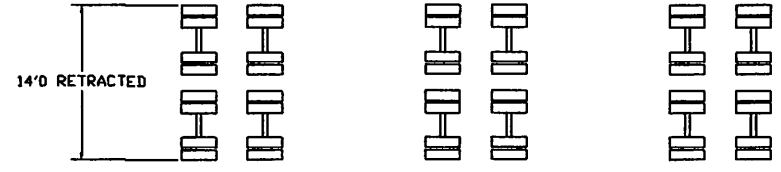


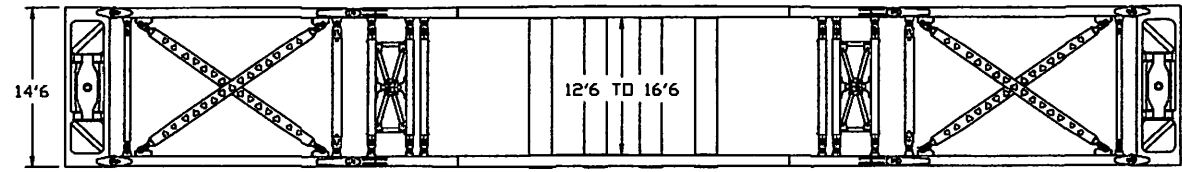
ITEM	PART NUMBER	QTY.	DESCRIPTION
------	-------------	------	-------------



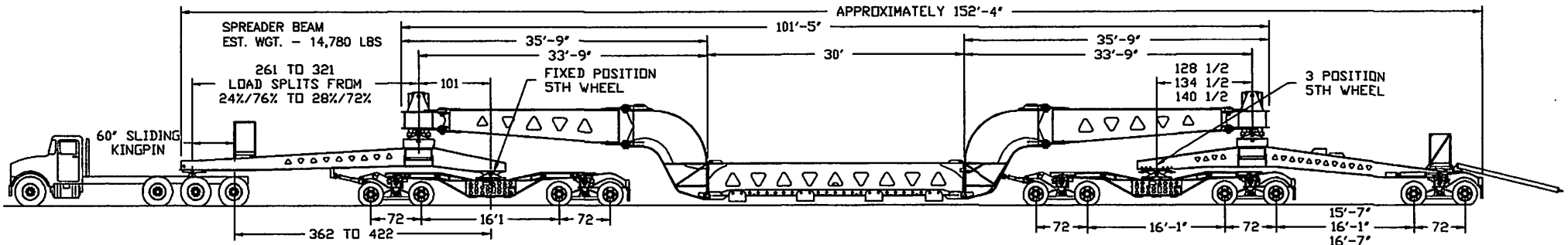
AXLE TOP VIEW (EXPANDED)



AXLE TOP VIEW (RETRACTED)



BEAM TOP VIEW

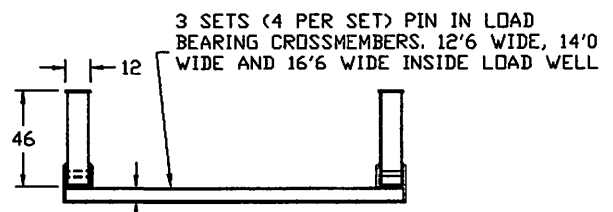


TK170D STEERING DOLLY
EST. WGT. - 31,630 LBS

MODEL TK300 TRANSPORT SYSTEM
 BEAM CAPACITY - 300,000 LBS IN CENTER 18' OF 30'0" DECK
 VARIABLE BEAM WIDTH (12'6" WIDE INSIDE TO 16'6" INSIDE)
 HYDRAULIC STEERING ON ALL AXLE GROUPS
 30" HYDRAULIC LIFT ON EACH END
 16 WHEEL TRUNNION AXLE WALKING BEAM SUSPENSION ON ALL GROUPS
 HYDRAULICLY EXPANDABLE SUSPENSION GROUPS FROM 14'0" TO 20'0" WIDE
 WIRELESS REMOTE ON ALL HYDRAULIC FUNCTIONS
 285/70R X 19.5 TIRES
 STEEL DISC WHEELS
 25,000 LB CAPACITY AXLES W/DRUM BRAKES
 (2) 20.3 HP KUBOTA DIESEL SELF-CONTAINED UNITS LOCATED IN STEERING DOLLIES
 OPERATOR'S PLATFORM FRONT AND REAR
 PUSH BAR ON REAR WING JEEP
 SPREADER BEAM @ FRONT BETWEEN TRUCK AND STEERING DOLLY
 60° SLIDING KING PIN ON FRONT SPREADER BEAM
 12" SLIDING COUPLER ON FRONT OF REAR WING JEEP
 20'0" & 40'0" BEAM EXTENSIONS (NOT SHOWN)
 (2) 4' X 10' LOAD BUNKS FOR USE WITH STEERING DOLLIES (NOT SHOWN)
 FRONT AND REAR SUSPENSION BEAM HEADERS DESIGNED TO CONNECT TO EXISTING WING JEEPS SERIAL NUMBERS 8-0882 AND 8-0884 RESPECTIVELY

TK170D STEERING DOLLY
EST. WGT. - 31,630LBS

TK200J WING JEEP
EST. WGT. - 23,160 LBS
EST. PUSH BAR WGT. - 600 LBS



NOTE: CROSS MEMBERS FOR 16'6" WIDE WILL BE 8" DEEP TO REDUCE DEFLECTION.

LOAD DECK SECTION VIEW
SHOWN @ 12'6" WIDE INSIDE

ESTIMATED TRAILER WEIGHT AS SHOWN - 204,700 LBS
 ESTIMATED WEIGHT 20' BEAM EXTENSION - 11,920 LBS
 ESTIMATED WEIGHT 40' BEAM EXTENSION - 22,020 LBS
 ESTIMATED CROSSMEMBER WEIGHT 12'6" INSIDE - 2,220 LBS EACH
 ESTIMATED CROSSMEMBER WEIGHT 14'0" INSIDE - 2,430 LBS EACH
 ESTIMATED CROSSMEMBER WEIGHT 16'6" INSIDE - 2,900 LBS EACH

UNLESS OTHERWISE SPECIFIED
 LOADS TO BE APPLIED AS SHOWN
 FINISHES: STEELS - MILLER
 W/TS
 EST. - 200 10 BCD
 1000
 HOLE TOLERANCES AND ANGLES / -
 FINISHES: FINISHES
 1/32 1/16 1/8

MATERIAL:
 EST WEIGHT =
 SHEET OF
 SCALE:

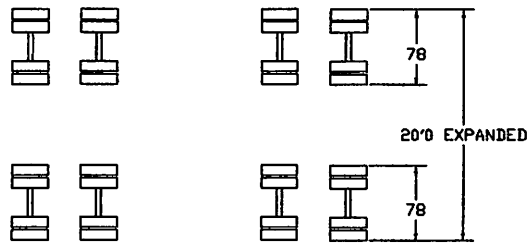
CHG.	NO.	CHANGE	DATE

DRAWING APPROVAL
 This drawing is forwarded for your approval. Please check all dimensions before signing.
 FIRM: _____
 BY: _____
 DATE: _____

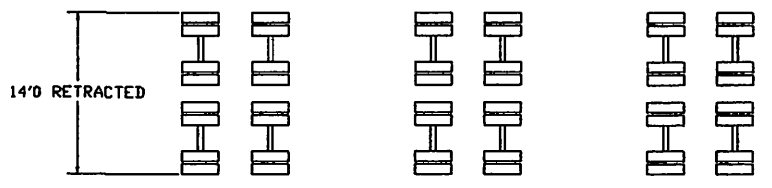
This drawing represents a proprietary product of Trail King Industries, Inc., Mitchell, South Dakota, and shall not be released, disclosed, used, or duplicated, without the written permission of Trail King Industries.

DESCRIPTION	DATE	PART NO.
MODEL TK300 TRAILER SYSTEM		
SERIAL NO. AM119816 - 9818		
TRAIL KING Industries, Inc.		
P.O. BOX 1064 - MITCHELL, SD 57501		
DRAWN BY	DATE	PART NO.
DMR	02/18 2009	094150

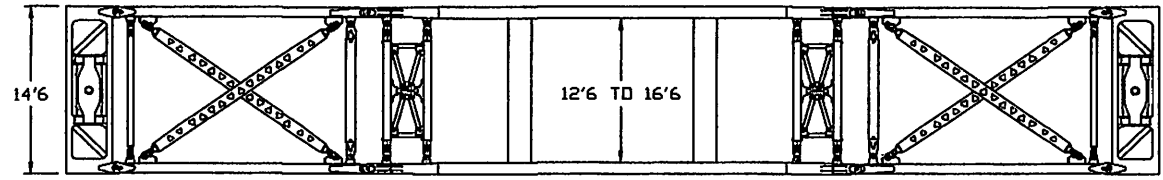
CDM	PART NUMBER	REV.	DESCRIPTION
-----	-------------	------	-------------



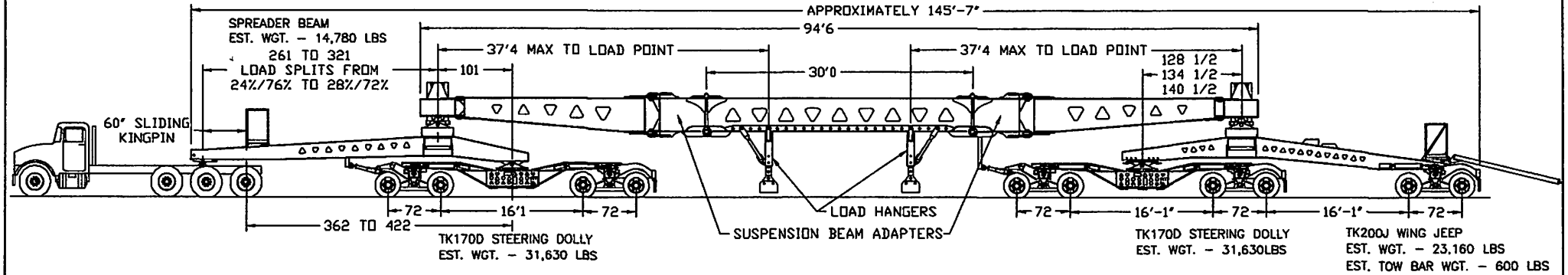
AXLE TOP VIEW (EXPANDED)



AXLE TOP VIEW (RETRACTED)



BEAM TOP VIEW



MODEL TK300 TRANSPORT SYSTEM
 094150 SHOWN WITH ADAPTERS TO CONVERT GOOSENECKS TO SUSPENSION BEAMS
 BEAM CAPACITY - 300,000 LB 2 POINT LOAD LOCATED 37'4\"/>

DRAWING APPROVAL
 This drawing is forwarded for your approval. Please check all dimensions before signing.
 FIRM: _____
 BY: _____
 DATE: _____
 This drawing represents a proprietary product of Trail King Industries, Inc., Mitchell, South Dakota, and shall not be released, disclosed, used, or duplicated, without the written permission of Trail King Industries.

MATERIAL:
 EST WEIGHT =
 SHEET OF
 SCALE:

CDM NO.	CHANGE	DATE

DESCRIPTION
 MODEL TK300 TRAILER SYSTEM
 SERIAL NO. AM119816 - 981B
TRAIL KING Industries, Inc.
 P.O. BOX 1064 - MITCHELL, SD 57501
 DRAWN BY: DMR DATE: 08/17/2009 PART NO.: 094151

UNLESS OTHERWISE SPECIFIED
 DIMENSIONS SHALL BE IN INCHES
 FRACTIONS DECIMALS MILLIMETERS
 1/8 .125 3.175
 1/4 .250 6.350
 1/2 .500 12.700
 3/4 .750 19.050
 1 1.000 25.400
 1 1/2 1.500 38.100
 2 2.000 50.800
 2 1/2 2.500 63.500
 3 3.000 76.200
 3 1/2 3.500 88.900
 4 4.000 101.600
 4 1/2 4.500 114.300
 5 5.000 127.000
 5 1/2 5.500 139.700
 6 6.000 152.400
 6 1/2 6.500 165.100
 7 7.000 177.800
 7 1/2 7.500 190.500
 8 8.000 203.200
 8 1/2 8.500 215.900
 9 9.000 228.600
 9 1/2 9.500 241.300
 10 10.000 254.000